

Instructions:

1. Remove all components from the box and verify all parts are included as shown in Figure 1.

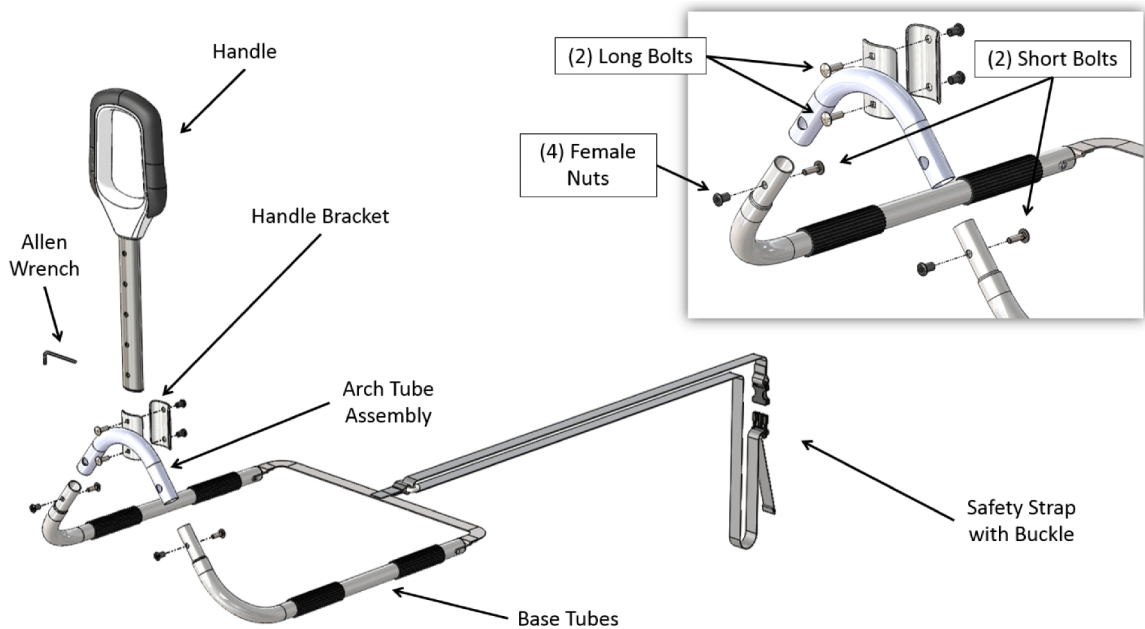


FIGURE 1

2. Attach the Arch Tube to the Base Tubes with Short Bolts and Female Nuts using the Allen Wrench, as shown in Figure 2.

NOTE: The strap wire at the end of the Base Tubes should be oriented as shown in Figure 2.

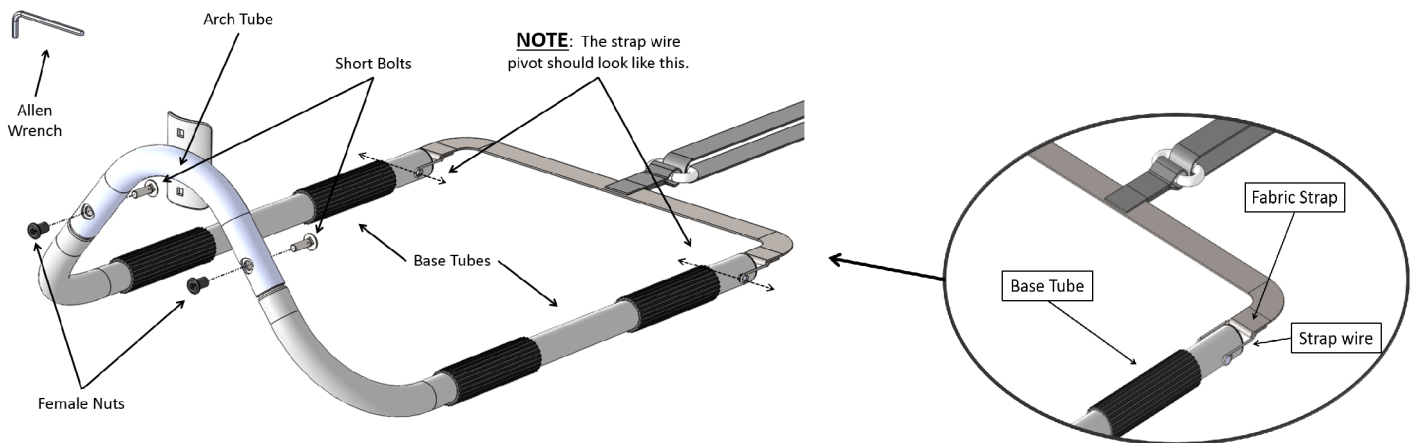


FIGURE 2

3. The Handle height adjustment holes allow the Handle to be positioned properly to accommodate varying mattress thicknesses (10 to 17 inches).

The “Top of the Handle” must be installed at a position of 4 to 7 inches above the top of the Mattress and located 12.5 or more inches from the head end of the bed as shown in Figure 3.

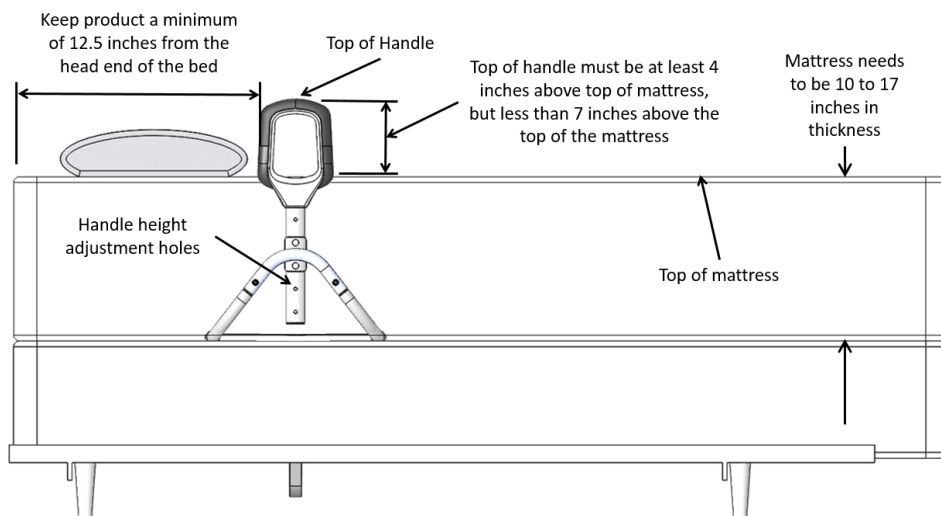


FIGURE 3

4. Determining the “Handle height adjustment holes” to use. Attach the Handle onto the Arch Tube with the Handle Bracket, Long Bolts, and Female Nuts using the included Allen Wrench as seen in Figure 4.

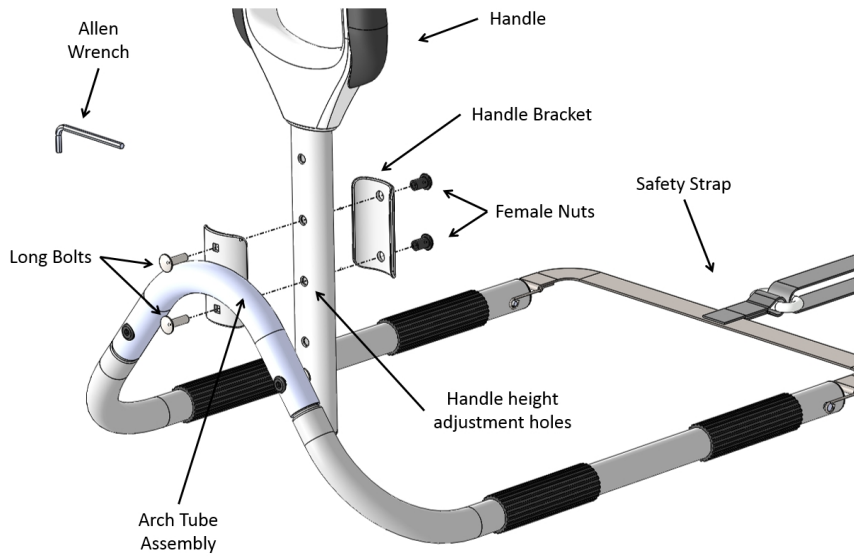


FIGURE 4

5. **Entrapment Warning:** Secure the SAFETY STRAP to the bed frame, as shown in Figure 5. Unbuckle strap and loop strap around bed frame and re-buckle. Tighten strap to secure Handle Assembly against the side of the mattress as shown in Figure 5. Product can be installed on either side of the bed; however the SAFETY STRAP must be placed between the mattress and box spring and secured to the opposite side of the bed frame.

Do NOT install product without securing the SAFETY STRAP to the bed frame as shown in Figure 5. If you have any questions, call Stander at (800) 506-9901 or (435) 755-0453.

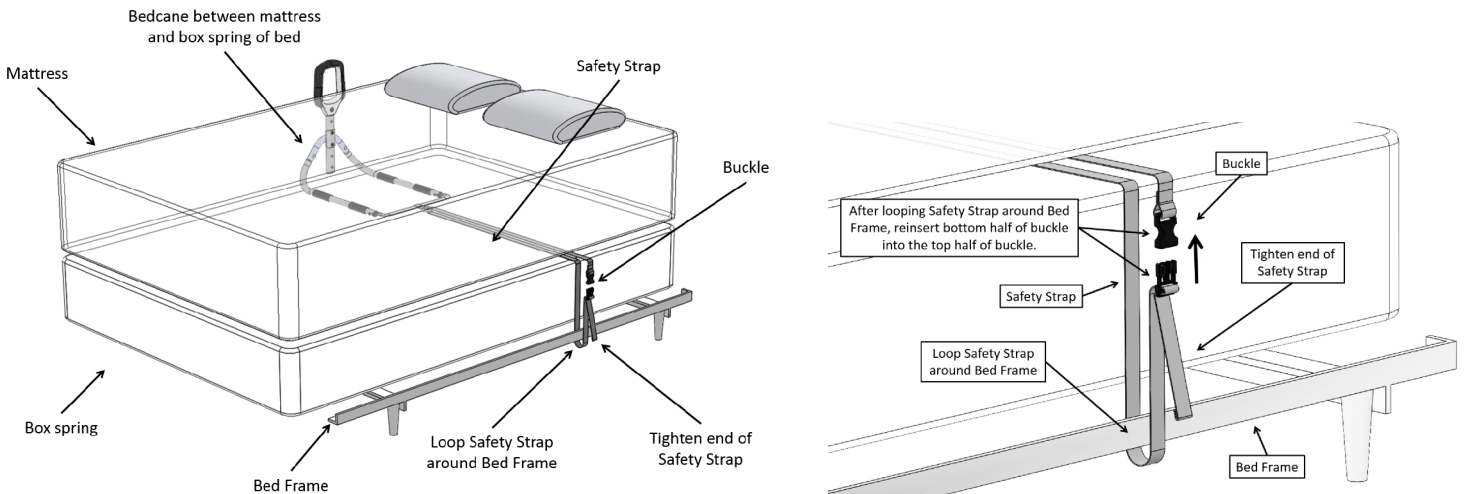


FIGURE 5

6. It is important that the Bedrail is secured to the Side of the mattress. The Safety Strap is looped around the Bed Frame on the opposite side of the bed, buckled, and tightened as show in Figure 6.

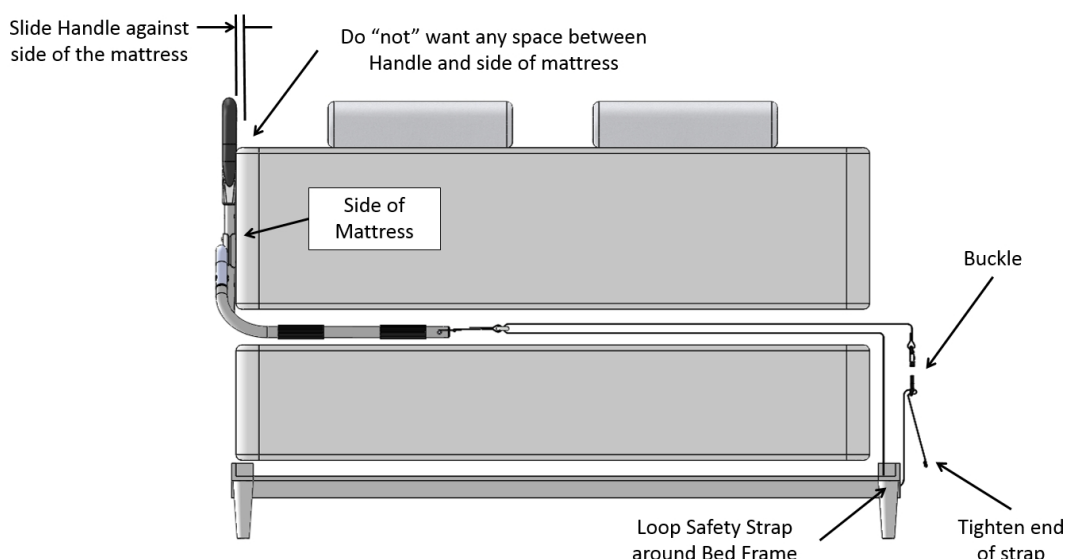


FIGURE 6